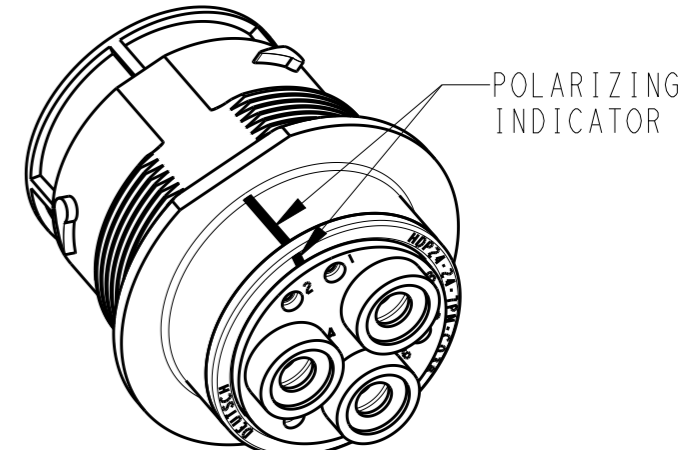
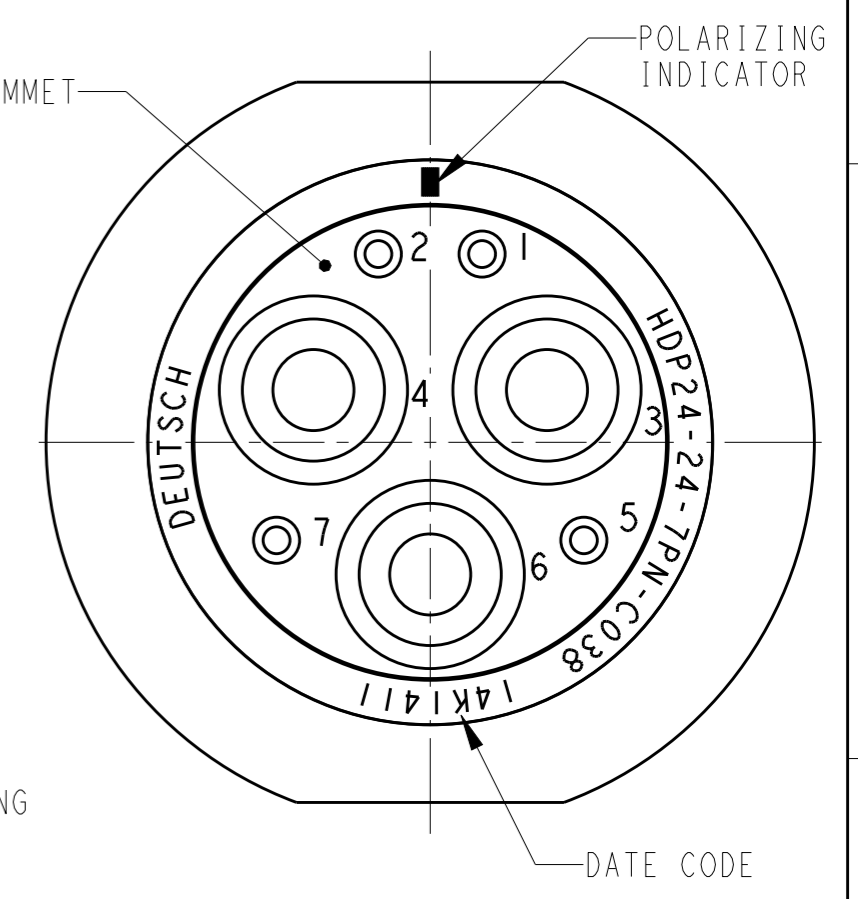
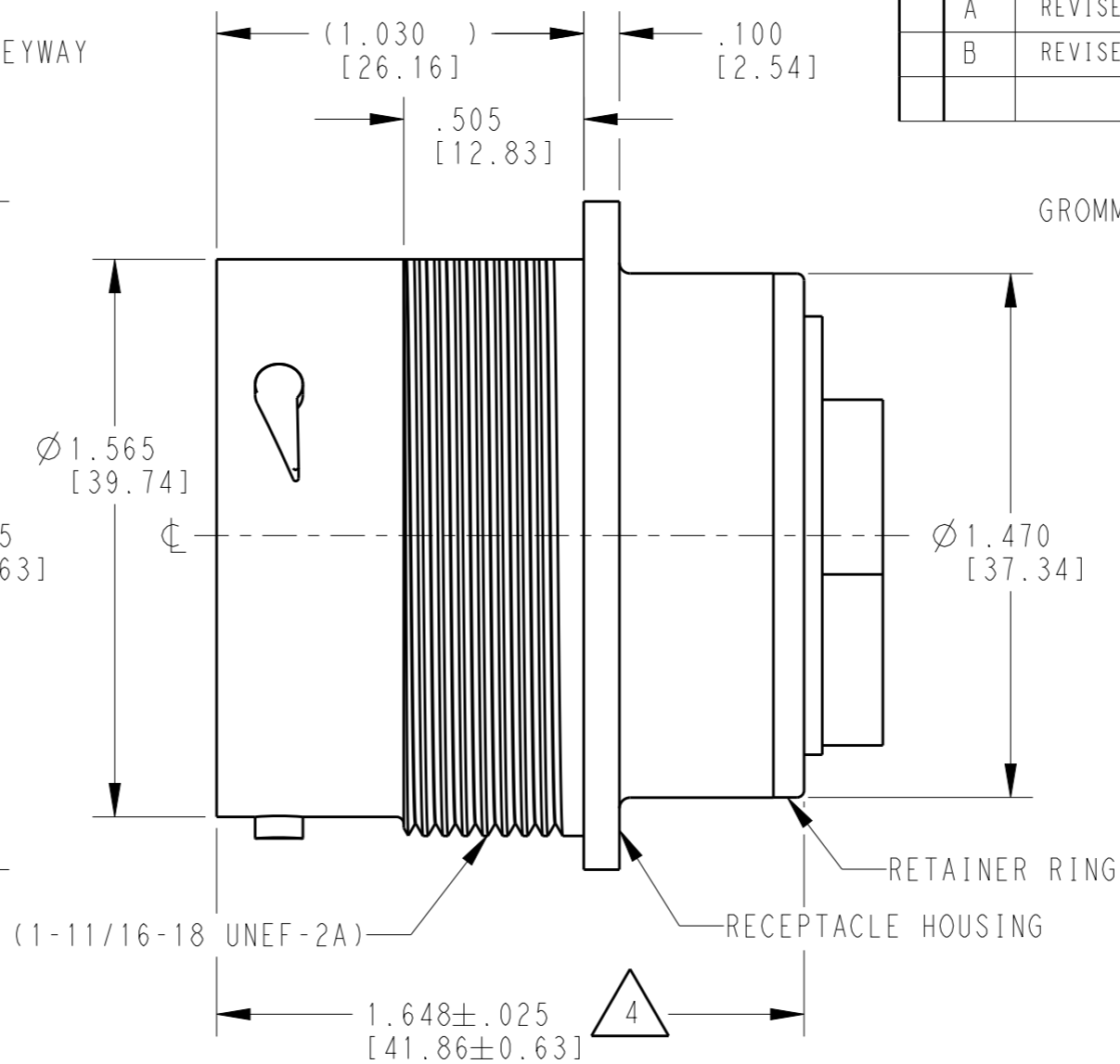
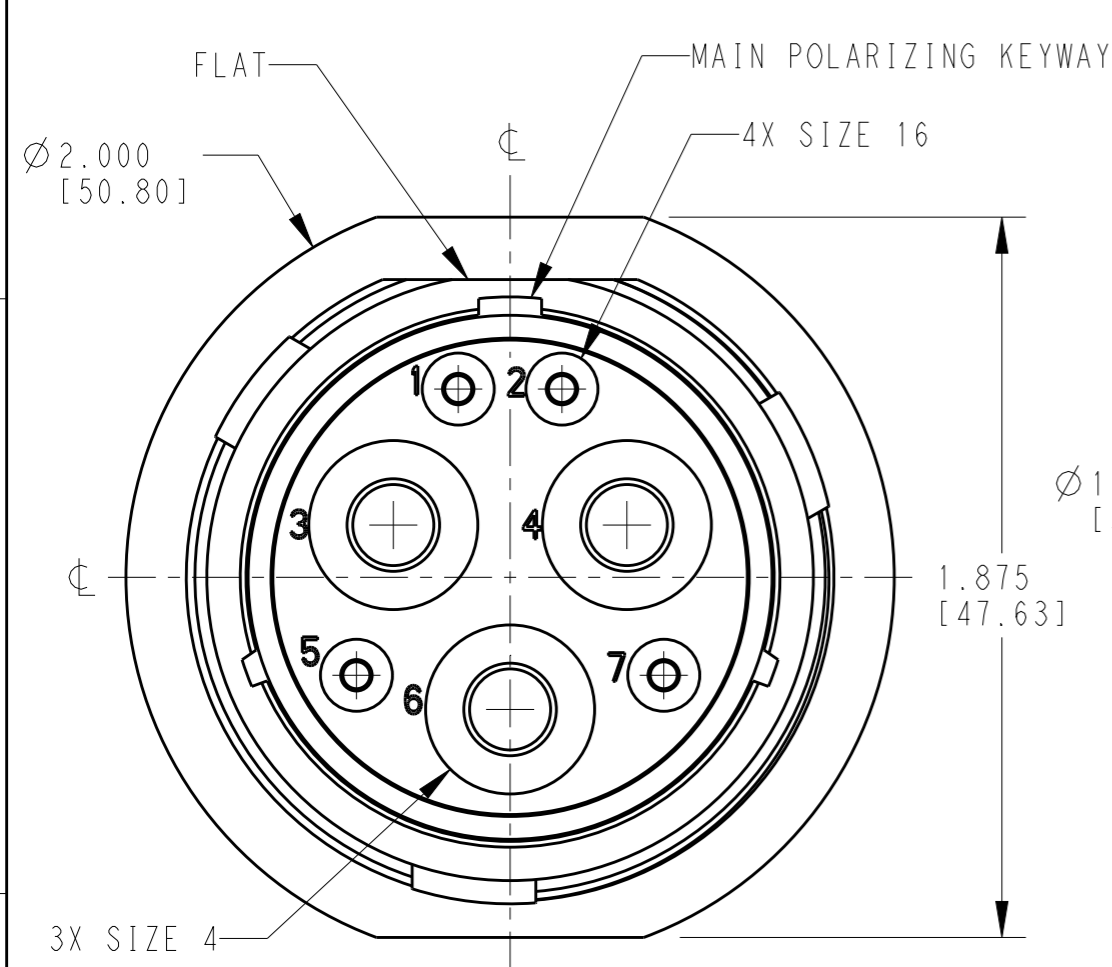


THIS DRAWING IS UNPUBLISHED  
 RELEASED FOR PUBLICATION 2015  
 © COPYRIGHT 2010 BY TE CONNECTIVITY ALL RIGHTS RESERVED.

LOC	DIST	REVISIONS			
P	LTR	DESCRIPTION	DATE	DWN	APVD
		NC	NEW RELEASE PER E.O. P20485	06AUG2010	IG RDR
		A	REVISED PER E.O. P20776	04FEB2011	JA RDR
		B	REVISED PER ECO-14-019072	23FEB2015	JA DM



SCALE 1:1

- 6. PART MODIFICATION:  
3 SIZE 4: 4 AWG [21.0-25.0 mm<sup>2</sup>] AND 4 SIZE 16.
- 5. RECEPTACLE IS SUPPLIED WITH DUST CAP (2415-001-2405).
- △4 NOTED DIMENSION DOES NOT INCLUDE GROMMET PROTRUSION.
- △3 MATERIAL: RECEPTACLE HOUSING: PA66 GF10 (BLACK)  
RETAINER RING: PA66 GF10 (GREEN, GRAY, BLUE)  
GROMMET: SILICONE (ORANGE-RED)
- △2 SEE 0425-021-0000 APPLICATION SPECIFICATION  
A. RECOMMENDED WIRE INSULATION RANGE  
B. CONTACT REMOVAL TOOLS  
C. RECOMMENDED MOUNTING HOLE & PANEL THICKNESS  
D. MOUNTING HARDWARE & MOUNTING TORQUE.
- 1. THIS RECEPTACLE MATES WITH HDP26-24-7SX-XXXX PLUG  
X = SEAL TYPE (N,T,E)  
XXXX = MODIFICATION

TE INTERNAL PN	DEUTSCH PN
HDP24-24-7PN-C038	HDP24-24-7PN-C038

THIS DRAWING IS A CONTROLLED DOCUMENT.		DWN 01APR2010 ILINA GRANICHAROVA	TE Connectivity	
DIMENSIONS: INCHES [mm]		CHK 21JUL2010 JAIME C. APOSTOL		
TOLERANCES UNLESS OTHERWISE SPECIFIED:		APVD 12JUL2010 STEVE BEARD	NAME RECEPTACLE, THREADED SIZE 24, -C038 MOD HDP SERIES	
0 PLC ± 1 PLC ± 2 PLC ± 3 PLC ±.015 [0.38] 4 PLC ± ANGLES ±0°30'0"		PRODUCT SPEC 0425-021-0000	SIZE A3	CAGE CODE 4AFU8
MATERIAL △3	FINISH N/A	APPLICATION SPEC △2	DRAWING NO HDP24-24-7PN-C038	RESTRICTED TO -
		WEIGHT 48.28g	SCALE 2:1 SHEET 1 OF 1 REV B	
		Customer Drawing		